



### 7 Steps to Build Your Vision Solution

Customized adaptations are possible on request

1 Physical Attributes	
Dimensions (L x W x H)	177mm x 110mm x 98mm   224mm x 130mm x 107mm (without   with sun shield)
Weight	2,3 kg   1,9kg (without   with sun shield & mounting arm)
Operating Temperature	0 - 60°C
Housing Material	Full aluminium body with anodized surface

2 Electrical	
IO	1x Ethernet (PoE) 1x Service Port 1x Power Port (optional) 2x Industrial Input (optional) (10V - 50V) 4x Industrial Output (optional) (10V - 50V) Wifi Adapterboard (optional) 4G + GPS Adapterboard (optional) 5G + GPS Adapterboard (optional)
Input Voltage	24V - 48V DC
Power Consumption	25W average, up to 70W (with 100% load and 100% lighting usage)
PoE	802.3bt 70W

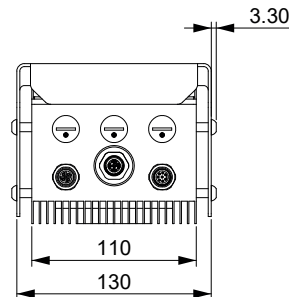
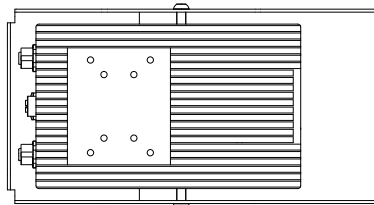
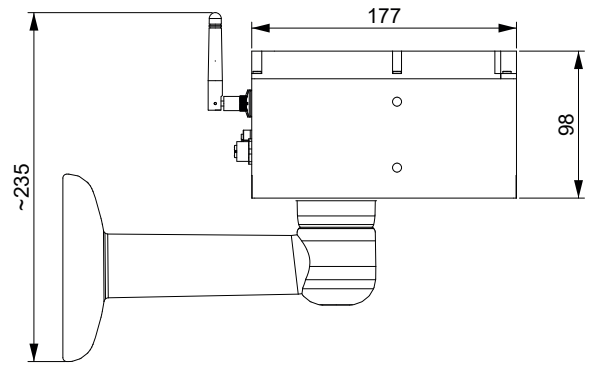
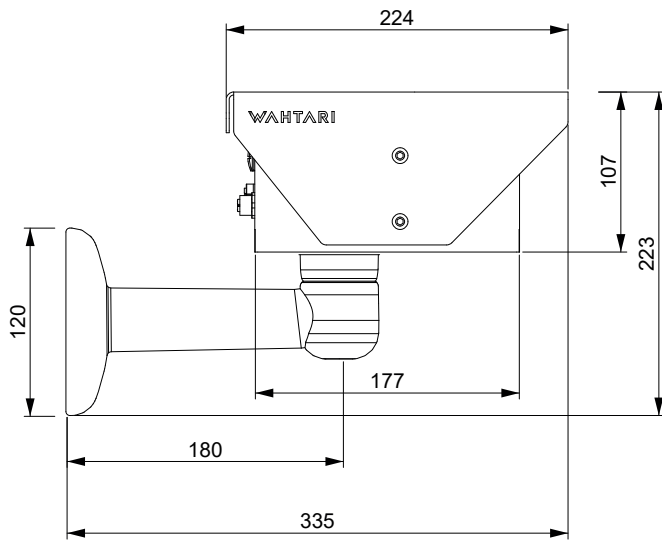
3 Computing Stack	Jetson Xavier NX	Jetson Orin NX
Operating System	Jetpack 5.0.2	Jetpack 5.0.2
GPU	384-Core Volta GPU	1024 Core Ampere, with 32 Tensor Cores
CPU	6-Core ARM 64 Bit CPU	6-Core Arm Cortex- A78AE
Ram	8/16 GB LPDDR4	8/16 GB LPDDR5
Storage	16 GB eMMC M.2 Slot, NVMe 2242	16 GB eMMC M.2 Slot, NVMe 2242

4 Certification	
IP 67	Yes
CE	Yes

5 Lens	Option 1	Option 2	Option 3
Focal Length	9 - 36mm	12 - 50mm	4 - 10mm
Optical Zoom & Focus	Motorized (programmable)	Motorized (programmable)	Motorized (programmable)
Iris	Motorized (programmable)	Motorized (programmable)	Motorized (programmable)
Optical Filter	Switchable IR cut above 850nm	Switchable IR cut above 850nm	Switchable IR cut above 850nm
Supported Sensors	up to 12.4MP	up to 12.4MP	up to 12.4MP
Minimum Object Distance	2.5m +	2.0m +	0.5m +

6 Imaging	Option 1	Option 2	Option 3	Option 4
Resolution (W x h, MP)	1936 x 1216, 2.4 MP	2464 x 2064, 5.1 MP	2848 x 2848, 8.1 MP	4024 x 3036, 12.2 MP
Sensor	Sony IMX392	Sony IMX547	Sony IMX546	Sony IMX226
Max. Frame Rate	126	79	95	29
Output Formats	MJPEG, H.264, H.265	MJPEG, H.264, H.265	MJPEG, H.264, H.265	MJPEG, H.264, H.265
Exposure Control	Global Shutter	Global Shutter	Global Shutter	Rolling Shutter with Global Reset

7 Lighting	Option 1	Option 2
Integrated LED Boards	White Light	IR Light
Transmission Angle	100°	30-60°
CRI	96	NA
Range	up to 20m	up to 35m



Approximate measurement  
Drawing not in scale