

WAHTARI nCAM

Wahtari Provides an Ideal Platform for Running AI Models On-The-Edge with its Smart Camera nCam

WAHTARI
On-The-Edge
AI-Lösung

Areas of Application

All Industries can Benefit from AI Technology.



Quality Control/Color Detection

e.g. color values, color gradients, discoloration, minimal deviations from the target value



Inspection of Roof Tiles
detection and sorting of broken tiles e.g. cracks, spalling, discolorations



Bark Inspection of Tree Logs
e.g. detect residual bark, measure length



Inspection of Medical Gloves

e.g. cracks & holes



Quality Inspection of Rubber Parts
e.g. fractures, deformations

nCam Highlights



AI „On-The-Edge“ Technology



Modular Design
Choose your optimal configuration



Fast Commissioning & Uncomplicated Adjustment



High Performance



8 Industrial GPIO
(max. 2A)



Integrated Lighting
White or IR



Industrial Design



Motorized Lens

Open Architecture for Perfect Solutions.

With its open architecture, the Wahtari nCam is an ideal interface for combining your own hardware and software with components from Wahtari or external suppliers to create the perfect AI platform.

Several Standards:



GEN<i>x</i>CAM



Analog & Digital Signaling



Strong Hardware Platform:



Interoperability:

Robots | Sensors | ERP | Conveyors |
Networking | IoT-Devices

Innovation that Fits in the Palm of Your Hand.

With the NVIDIA Jetson Series SoMs is the nCam currently one of the most compact high-end vision AI systems on the market. Packaged in an aluminum housing with its sophisticated cooling system, the camera reliably delivers results in the lower millisecond range even under the toughest conditions.

AI Partner Wahtari

We deliver ready-to-use AI systems that are customized to the conditions in your company. Our optimized pipeline enables us to realize projects for any budget.

We support you in taking advantage of the opportunities offered by the latest technological developments and setting yourself apart from your competitors.

About Wahtari

- Experts for AI-based image recognition
- Experience from many different industries
- Latest technologies
- Hardware and software from one hand





7 Steps to Build Your Vision Solution

Customized adaptations are possible on request

1 Physical Attributes	
Dimensions (L x W x H)	177mm x 110mm x 98mm 224mm x 130mm x 107mm (without with sun shield)
Weight	2,3 kg 1,9kg (without with sun shield & mounting arm)
Operating Temperature	0 - 60°C
Housing Material	Full aluminium body with anodized surface

2 Electrical	
IO	1x Ethernet (PoE) 1x Service Port 1x Power Port (optional) 2x Industrial Input (optional) (10V - 50V) 4x Industrial Output (optional) (10V - 50V) Wifi Adapterboard (optional) 4G + GPS Adapterboard (optional) 5G + GPS Adapterboard (optional)
Input Voltage	24V - 48V DC
Power Consumption	25W average, up to 70W (with 100% load and 100% lighting usage)
PoE	802.3bt 70W

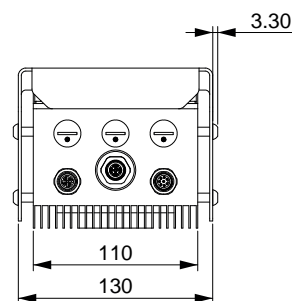
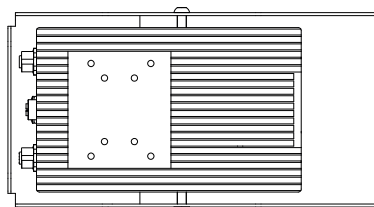
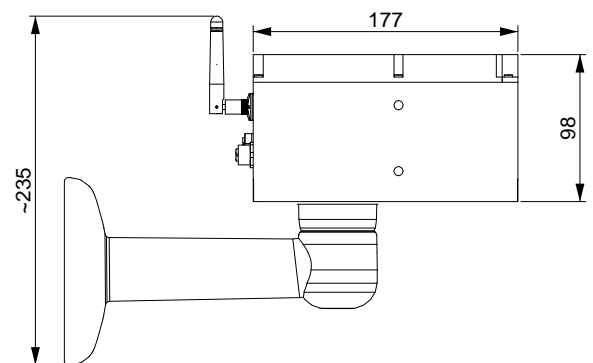
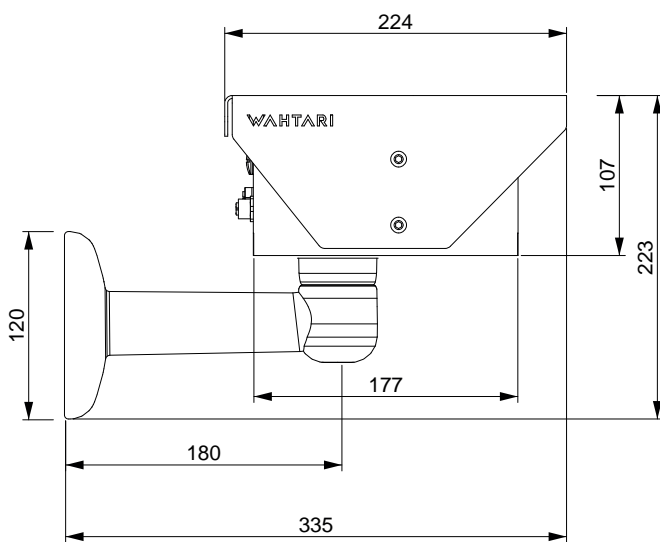
3 Computing Stack	Jetson Xavier NX	Jetson Orin NX
Operating System	Jetpack 5.0.2	Jetpack 5.0.2
GPU	384-Core Volta GPU	1024 Core Ampere, with 32 Tensor Cores
CPU	6-Core ARM 64 Bit CPU	6-Core Arm Cortex- A78AE
Ram	8/16 GB LPDDR4	8/16 GB LPDDR5
Storage	16 GB eMMC M.2 Slot, NVMe 2242	16 GB eMMC M.2 Slot, NVMe 2242

4 Certification	
IP 67	Yes
CE	Yes

5 Lens	Option 1	Option 2	Option 3
Focal Length	9 - 36mm	12 - 50mm	4 - 10mm
Optical Zoom & Focus	Motorized (programmable)	Motorized (programmable)	Motorized (programmable)
Iris	Motorized (programmable)	Motorized (programmable)	Motorized (programmable)
Optical Filter	Switchable IR cut above 850nm	Switchable IR cut above 850nm	Switchable IR cut above 850nm
Supported Sensors	up to 12.4MP	up to 12.4MP	up to 12.4MP
Minimum Object Distance	2.5m +	2.0m +	0.5m +

6 Imaging	Option 1	Option 2	Option 3	Option 4
Resolution (W x h, MP)	1936 x 1216, 2.4 MP	2464 x 2064, 5.1 MP	2848 x 2848, 8.1 MP	4024 x 3036, 12.2 MP
Sensor	Sony IMX392	Sony IMX547	Sony IMX546	Sony IMX226
Max. Frame Rate	126	79	95	29
Output Formats	MJPEG, H.264, H.265	MJPEG, H.264, H.265	MJPEG, H.264, H.265	MJPEG, H.264, H.265
Exposure Control	Global Shutter	Global Shutter	Global Shutter	Rolling Shutter with Global Reset

7 Lighting	Option 1	Option 2
Integrated LED Boards	White Light	IR Light
Transmission Angle	100°	30-60°
CRI	96	NA
Range	up to 20m	up to 35m



Approximate measurement
Drawing not in scale